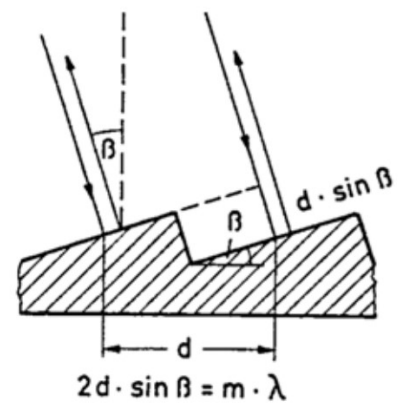
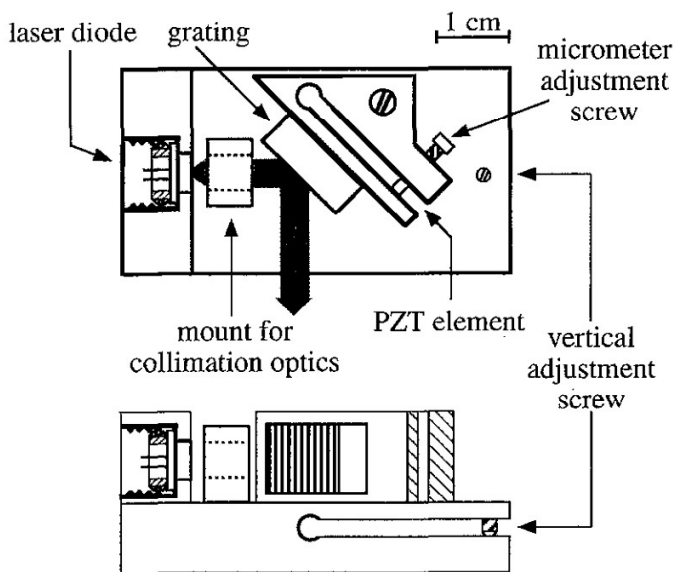
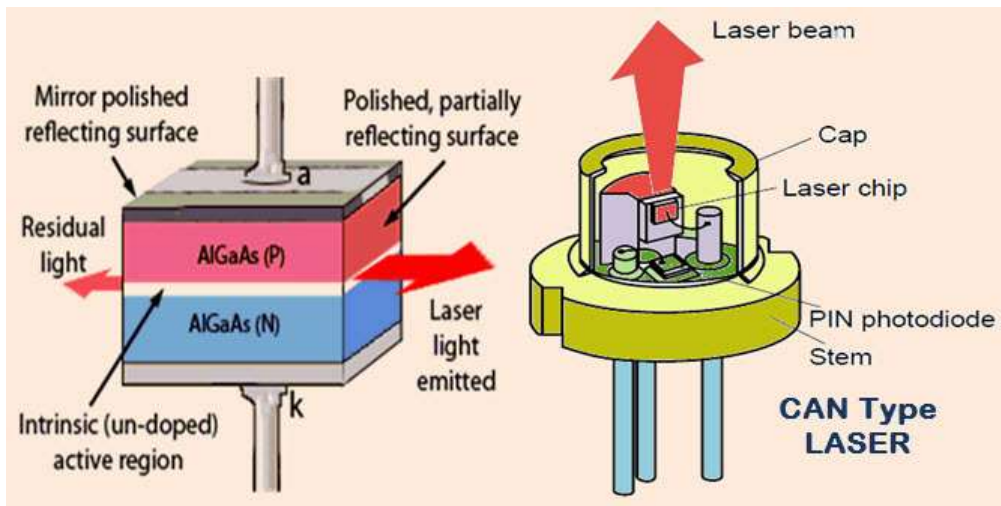
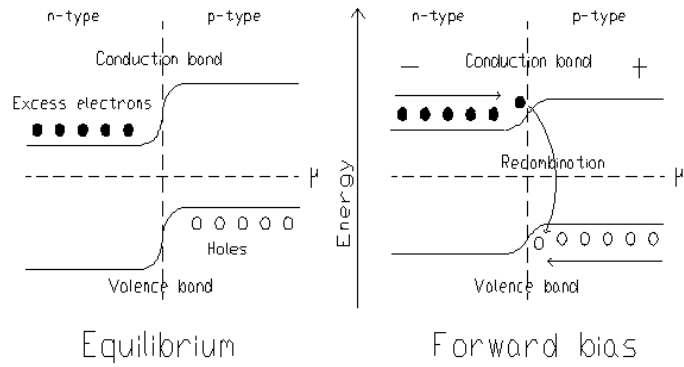
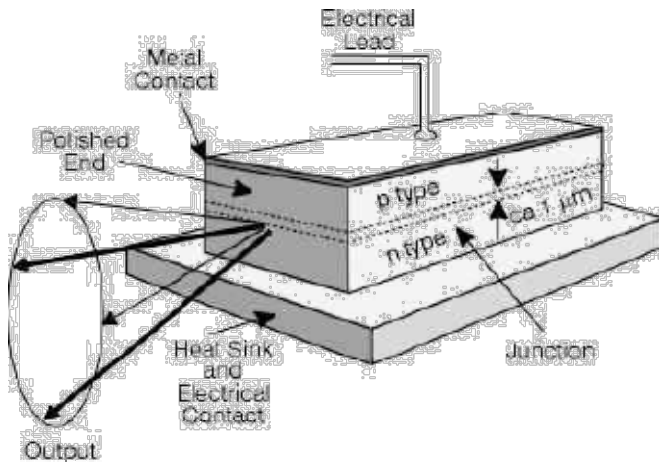


Diode laser

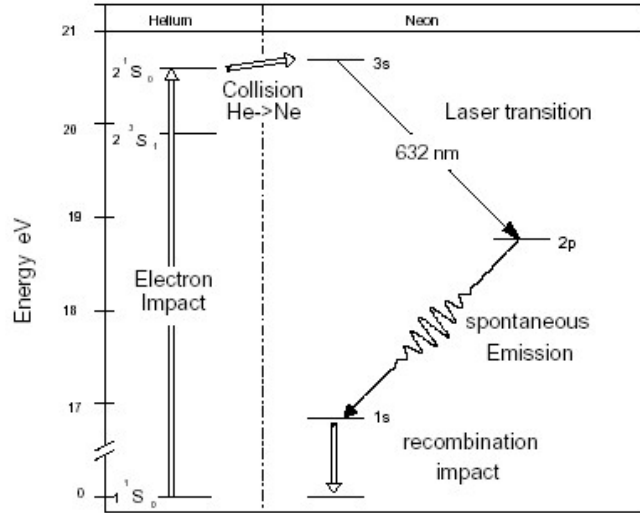
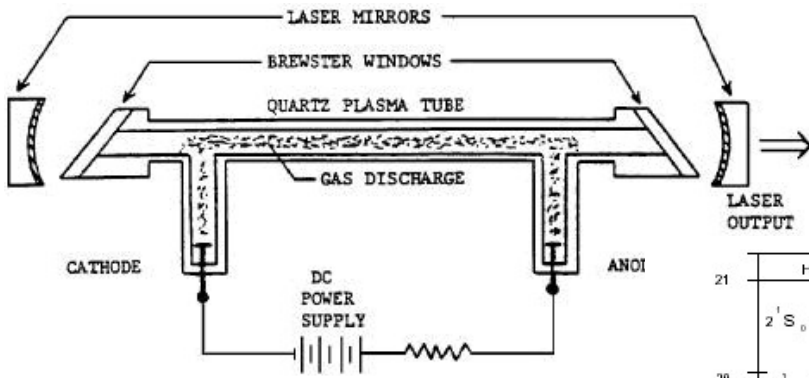


Littrow grating

Fig. 1. Schematics of the mechanical setup of the grating-stabilized diode laser system.

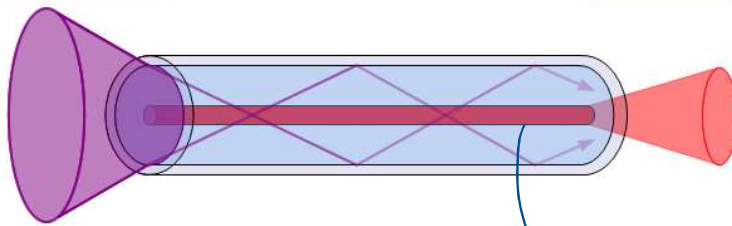
He-Ne laser

He-Ne laser



Fiber laser

Pumpstrahlung \rightarrow Laserstrahlung



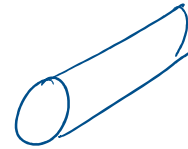
Er^{+} doped fiber
= gain medium

Disk laser

\uparrow
geometry

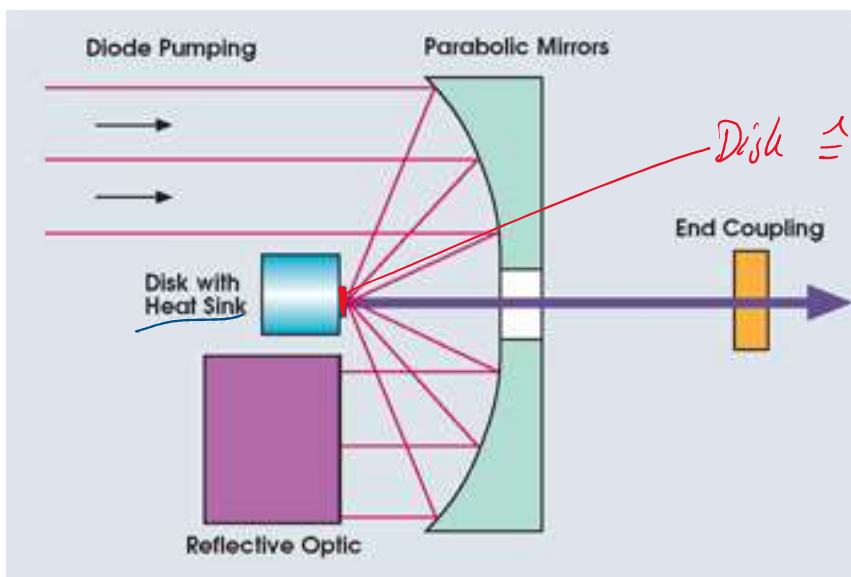
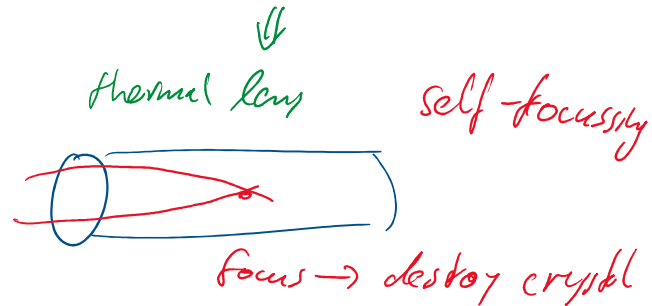
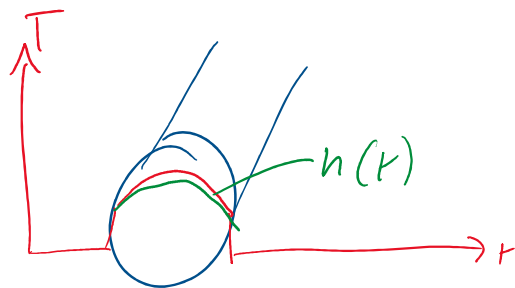
$Yb:YAG$ = similar Nd:YAG

usual YAG laser = rod



pumped & cooled radially

→ radial temperature $\hat{=}$ refractive index profile



↓
glued onto heat sink
only axial temp. gradient $\hat{=}$ ok

